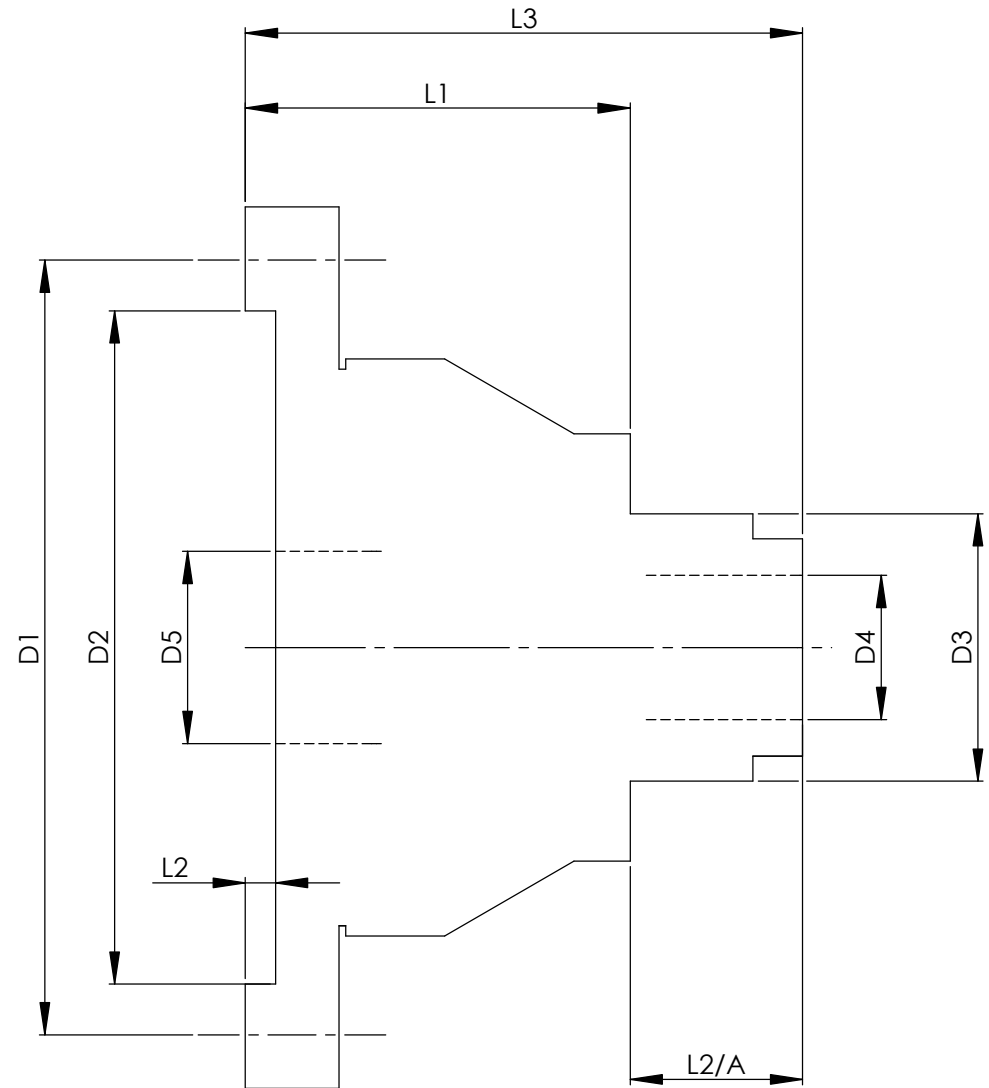


		INCH	MM
CROWN WHEEL BOLT PCD	D1	5.7086	145
No. OF BOLTS		14	14
THREAD / THRO' HOLE		M10x1.25	M10x1.25
CROWN WHEEL SPIGOT DIA	D2	4.960	126.0
BEARING DIA	D3	1.9695	50.0
BEARING DISTANCE	L1	2.835	72.0
SPIGOT LENGTH	L2	0.232	5.9
	L2/A	1.270	32.3
OVERALL LENGTH	L3	4.105	104.3
BEARING/CROWN WHEEL	L4	0	0
BORE	D4	1.062	27.0
	D5	1.4156	36.0
DRIVE SHAFT SPLINE:-			
No. OF TEETH		25	
PITCH		1 MOD.	
TYPE			
PRESSURE ANGLE		37.5 DEG	



TITLE F.W.D. DIFF DATA SHEET.

SCALE 1:1 U.O.S. SHEET 1 OF 1

**Drg. No.** QDF6L

**Quaife Design & Development.**

IF IN DOUBT, ASK.

THIS DRAWING OR DESIGN IS STRICTLY CONFIDENTIAL & THE COPYRIGHT THEREIN IS THE EXCLUSIVE PROPERTY OF R.T. QUAIFF ENGINEERING LTD. AND MAY NOT BE USED COPIED OR EXHIBITED WITHOUT THEIR WRITTEN PERMISSION.

FINISH. MACH.	GRIND@G
LIMITS. FRACT. ± 1/64"	
DEC. ± 0.005"	
MATERIAL.	
TREATMENT.	
ISSUE. 01 DATE. 19.5.05	
DRAWN BY. M.L.M.	
<b>Used In.</b> NISSAN Primera SR20DE,	
Nissan 200SX SER (USA only)	